

# Governors

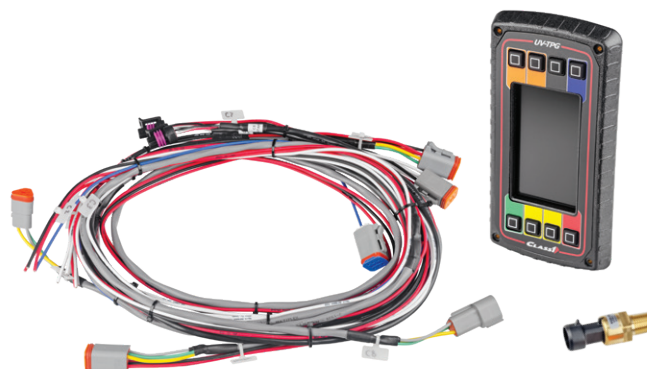
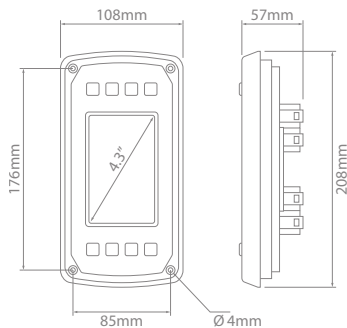
UV-TPG

- Combines the simplicity of the TPG with the diagnostic power of the Sentry.
- Controls engine speed directly over J1939 network or analogue control.
- Tactile feedback buttons.
- Maximises pressure & flow with minimum engine RPM.
- Large, easy to read alphanumeric display.
- Easy setup & configuration.
- Audible alarm output.
- Programmable presets.
- Environmentally sealed – IP67.
- Multi-voltage.
- Made in North America.



<b>Voltage :</b>	9–32V
<b>Current Draw :</b>	240mA @ 13.8V
<b>Analogue Output :</b>	0–5V
<b>CAN :</b>	SAE J1939
<b>Construction :</b>	Polycarbonate
<b>Ingress Protection :</b>	IP67
<b>Operating Temperature :</b>	-40°C to 85°C

Made in North America 9V 32V IP67



## Total Pressure Governor Kit – UV-TPG

Part No.	Description	Kit Contents
599-00010-013	Pump governor kit	1 x UV-TPG 1 x Transducer (113557) 1 x Harness (513-00019)



For details of your nearest reseller free call : 1800 724 690 | www.ionnic.com

